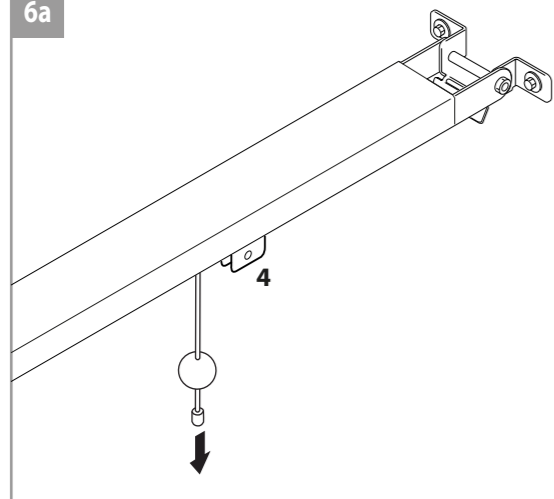
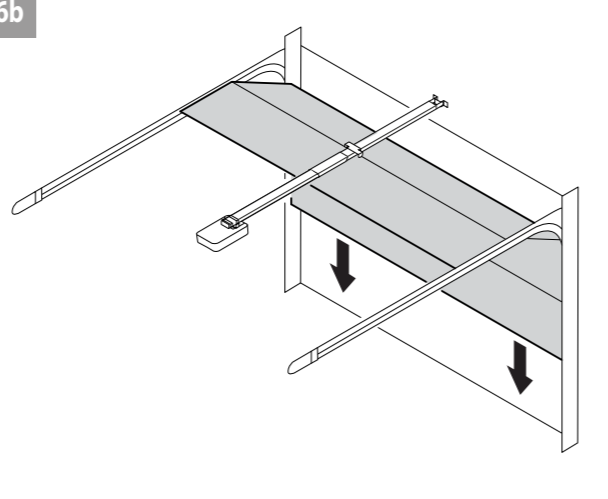


6

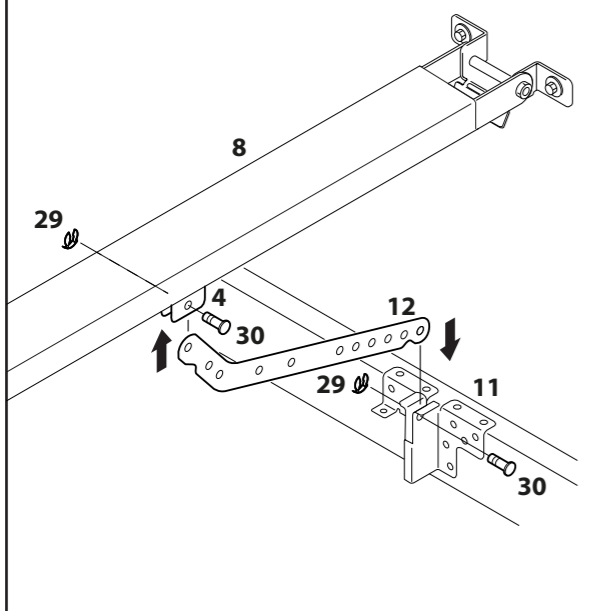
6a



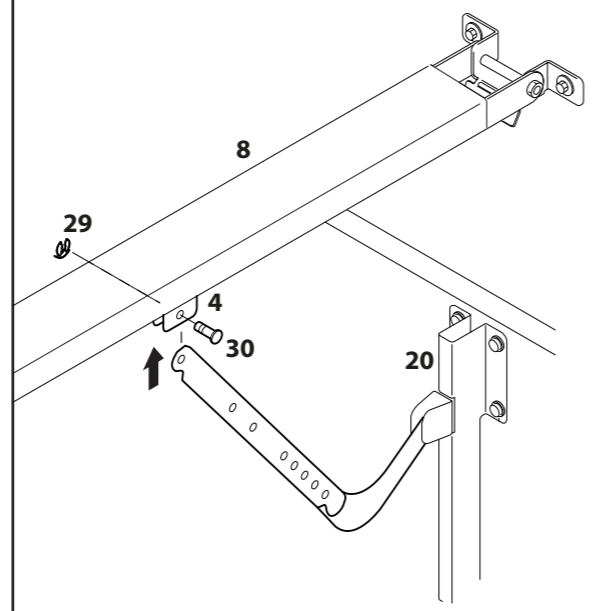
6b



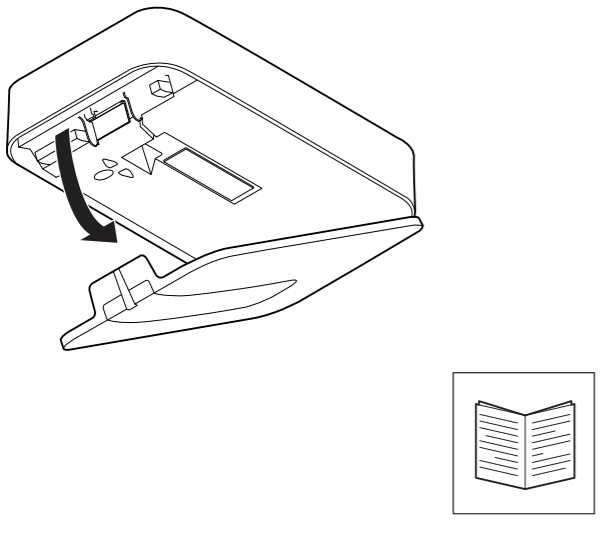
Up-and-over door / Sectional door



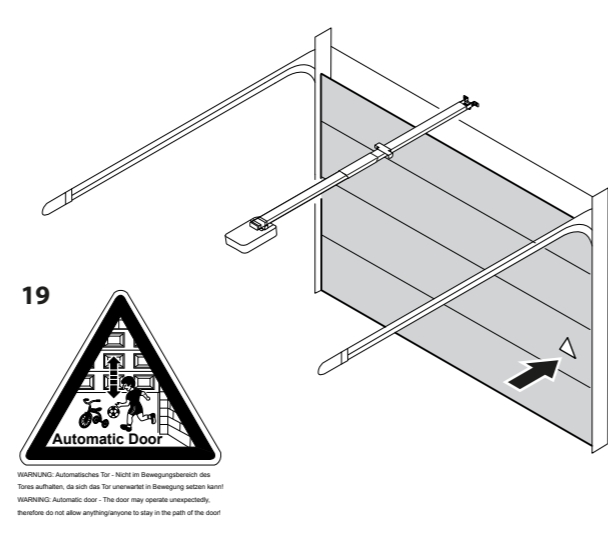
Sectional door (option)



7



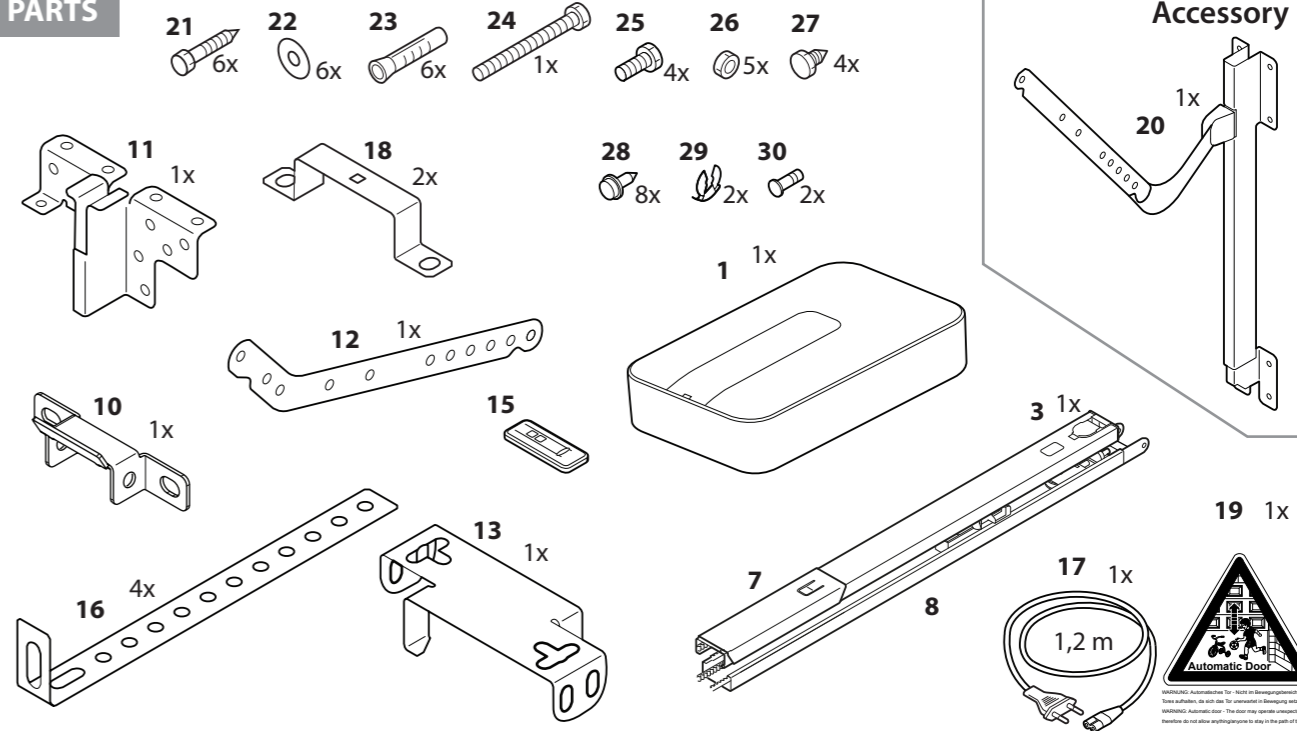
8



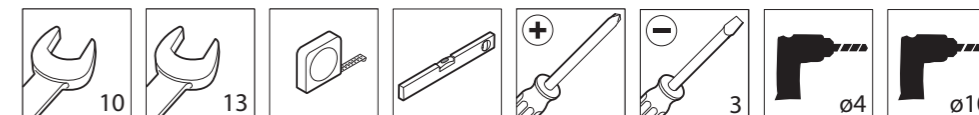
# N-423 / N-563 S

932001-03-6-50 06/2021

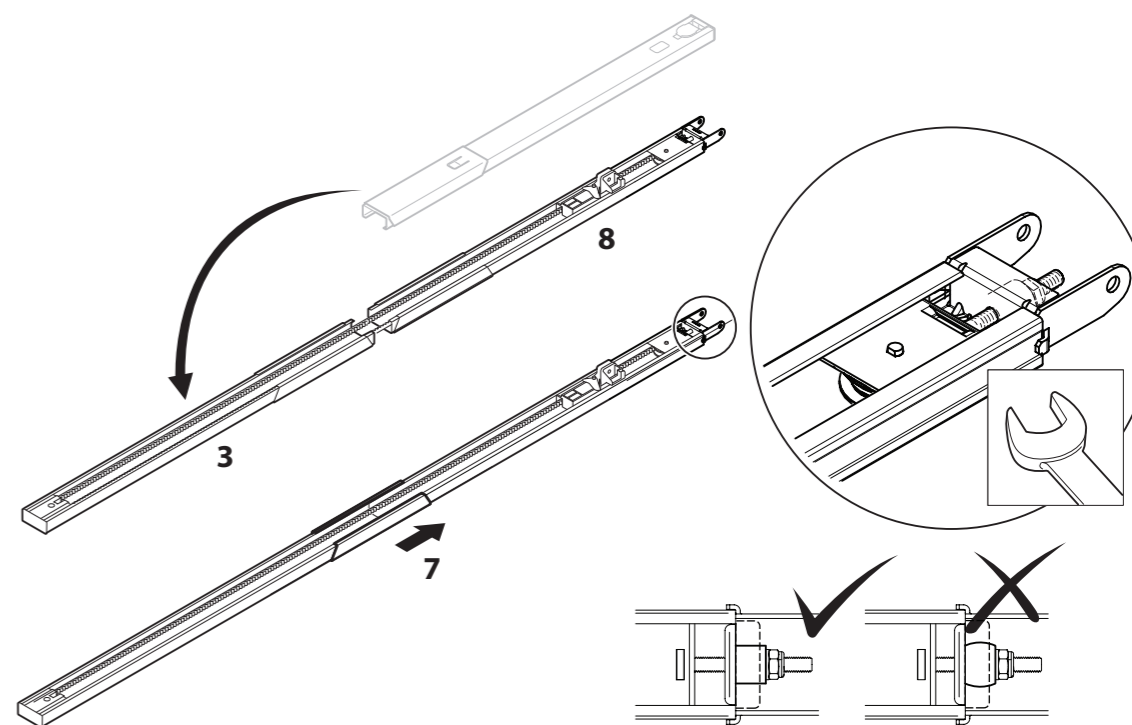
## PARTS



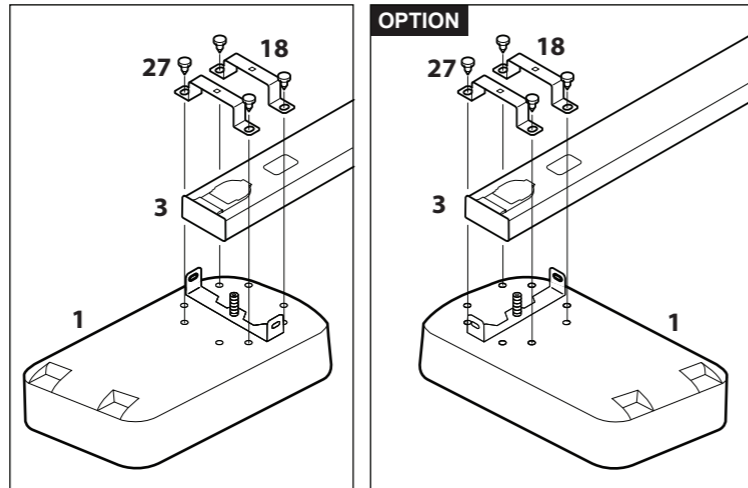
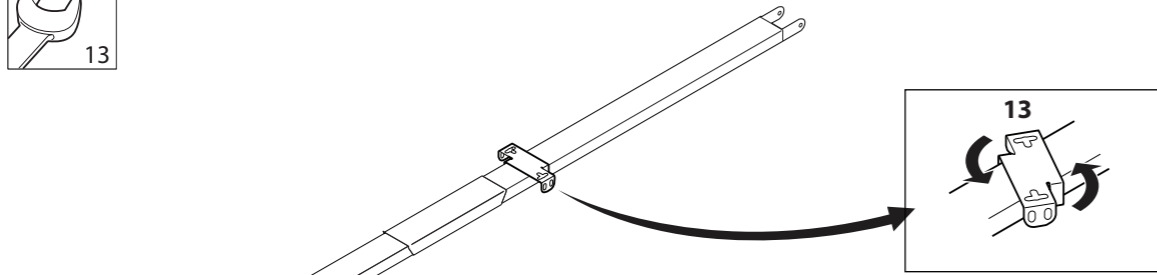
## TOOLS



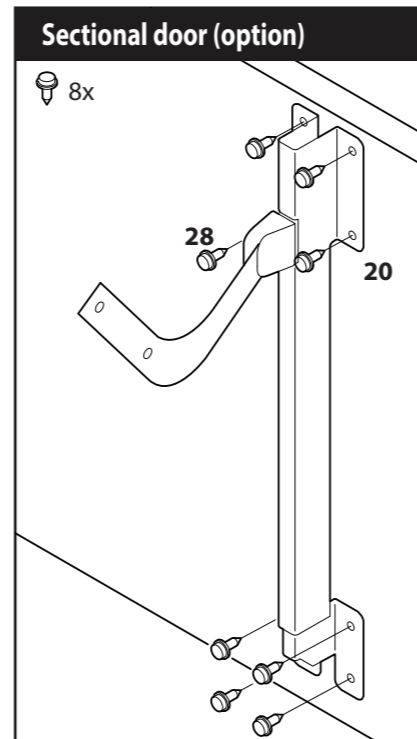
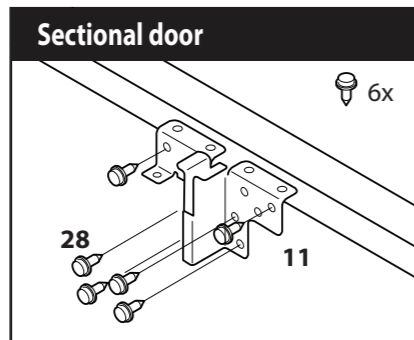
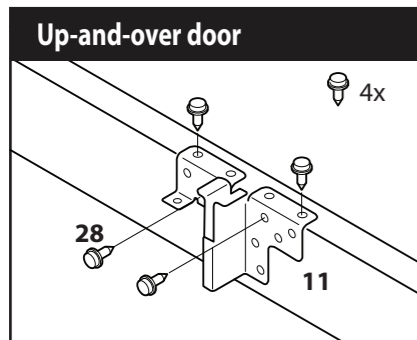
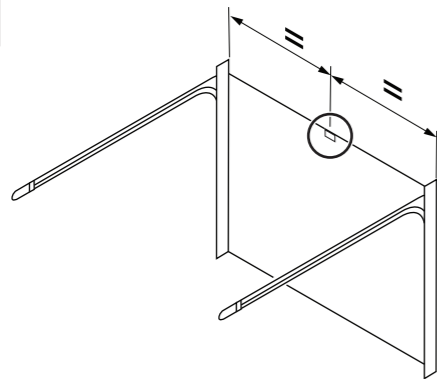
1



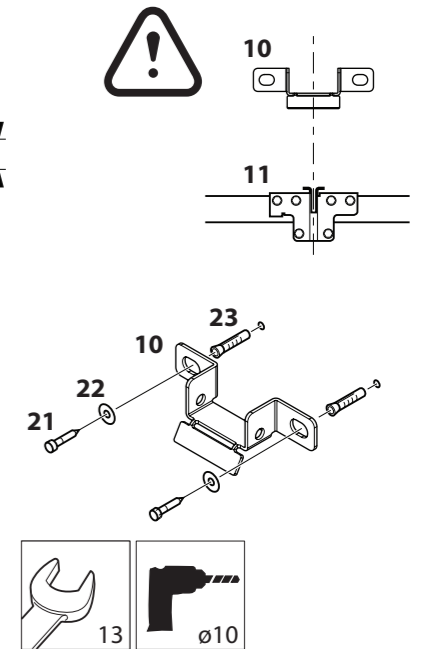
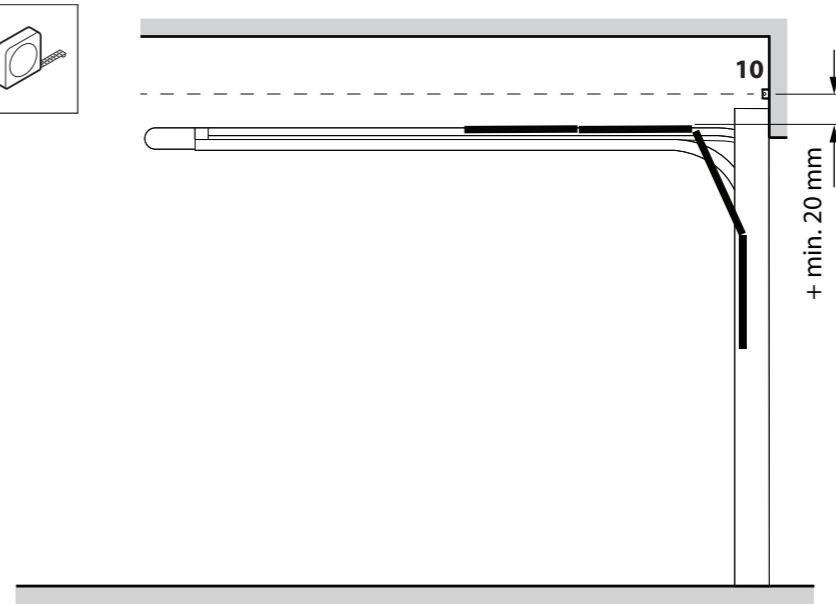
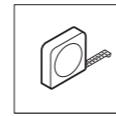
2



3



4



5

